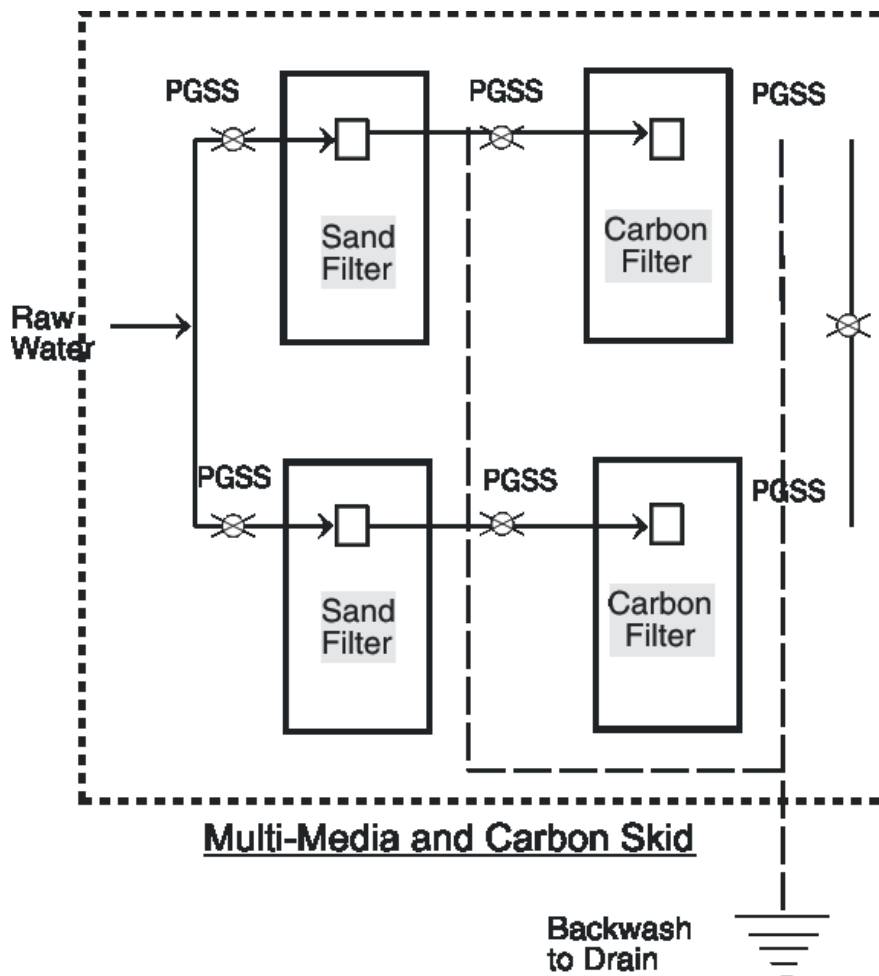




Industrial Water Purification Systems

Municipal Sand Carbon Twin System



KEY

UV - ULTRA-VIOLET UNIT
PG - PRESSURE GAGE - Tri-Clover
CV - CHECK VALVE
FM - FLOW METER
DV - DIAPHRAGM VALVE
WM - WATER METER
SP - SAMPLE PORTS
SOV - SOLENOID VALVE
RV - RELIEF VALVE
T - THERMOMETER
UV - ULTRAVIOLET UNIT
FCV - FLOW CONTROL VALVE
FM - FLOW METER, TOTALIZER
FT - FLOW TOTALIZER
CHL - CHLORINE SAMPLER
FS - FLOW SWITCH

System Description

This system is duplexed multi-media sand filters followed by duplexed carbon filters on lake water to reduce suspended solids for a town potable supply.

The system was first piloted though a couple seasons to make sure the approach was practical.

FILTERS, WATER & INSTRUMENTATION, INC.
www.FiltersWater.com
23 Londonderry Road, Unit 13
Londonderry, NH 03053
PH 603 434-9577 FX 603 434-2832