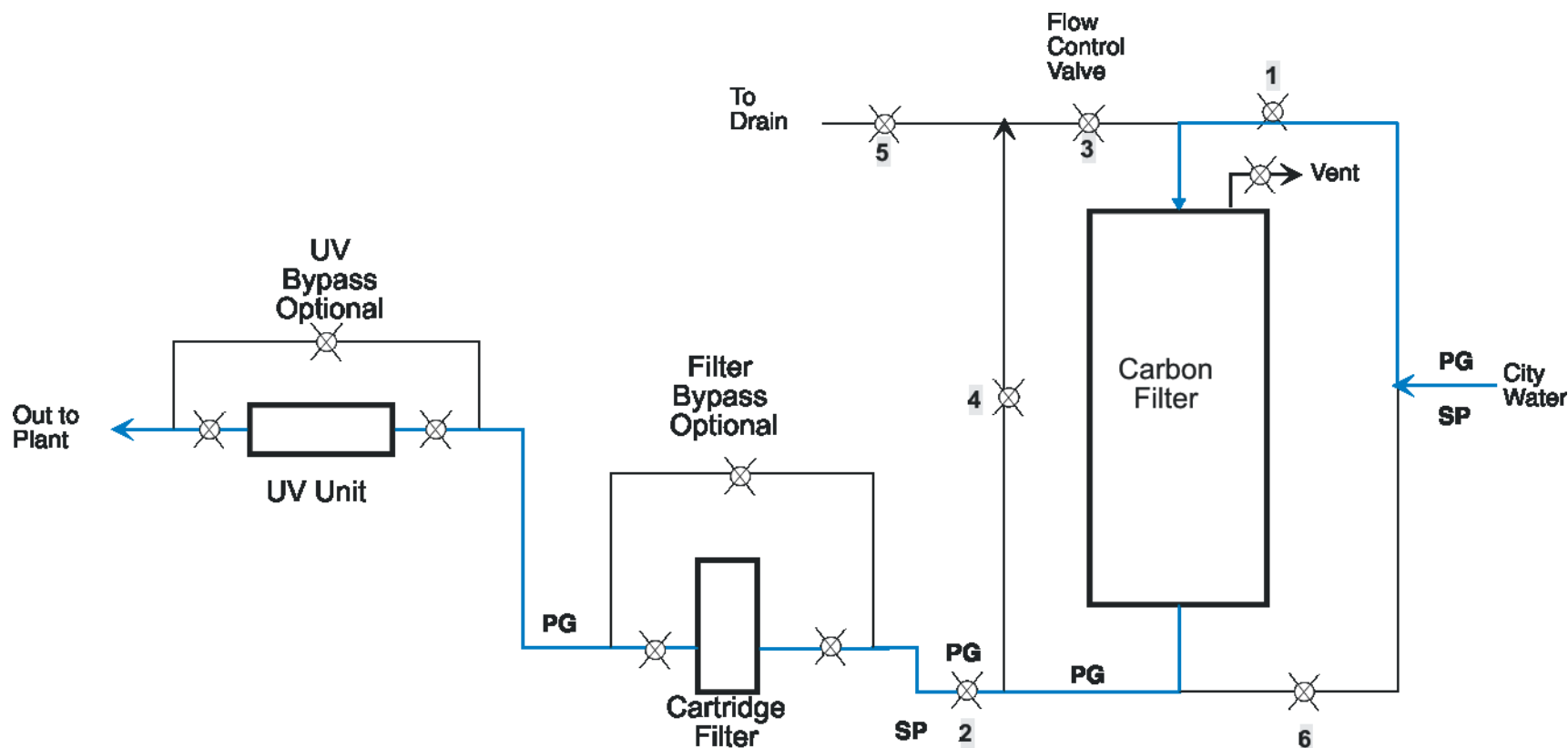




Industrial Water Purification Systems

Food and Beverage Water Carbon UV Filter System



KEY

- UV - ULTRA-VIOLET UNIT
- PGB - PRESSURE GAGE BRASS
- PGSS - PRESSURE GAGE 316 STAINLESS
- IL - INDICATOR LIGHT
- RM - RESISTIVITY PROBE
- CV - CHECK VALVE
- FM - FLOW METER
- DV - DIAPHRAGM VALVE
- WM - WATER METER
- SP - SAMPLE PORTS

System Description:

This System removes particles, and Chlorine/Chloramine from the incoming city water. We then use Ultraviolet(UV) to keep the water bacterial free and finally run the water through a cartridge filter to make sure there are no carbon fines going out to product. Removing particles and chlorine is almost always the basis for a city water Food and Beverage filtration.

FILTERS, WATER & INSTRUMENTATION, INC.
www.FiltersWater.com
23 Londonderry Road, Unit 13
Londonderry, NH 03053
PH 603 434-9577 FX 603 434-2832